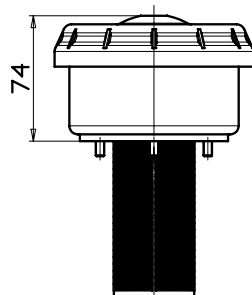


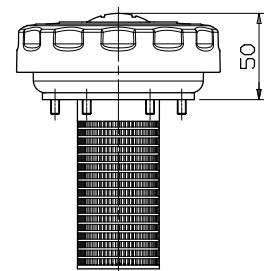
# Side mounting tanks

To confirm our constant research for quality and competitiveness in market, we are glad to inform you that our side mounting tanks for tractor trucks have been updated and improved as summarized in the below described features:

- **double paint coating for a higher resistance to corrosion;**
- **stainless steel fixing brackets;**
- **O-rings positioned under closing cap replaced by a new gasket made of neoprene rubber;**
- **filling cap with lowered built in filter to avoid interferences with piping**



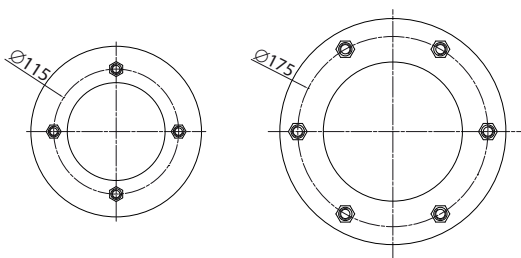
**PREVIOUS VERSION**



**NEW VERSION**

- **flange for filter fitting with reduced dimension (diameter=115 cm) to make brackets placement easier and to facilitate the mounting of filter or tipping valve.**

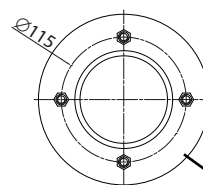
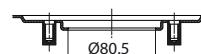
**PREVIOUS FLANGE**



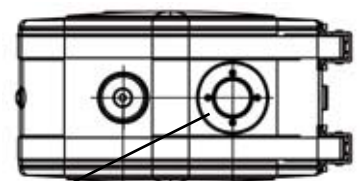
**135 LITRES**

**150-170-200 LITRES**

**NEW FLANGE**

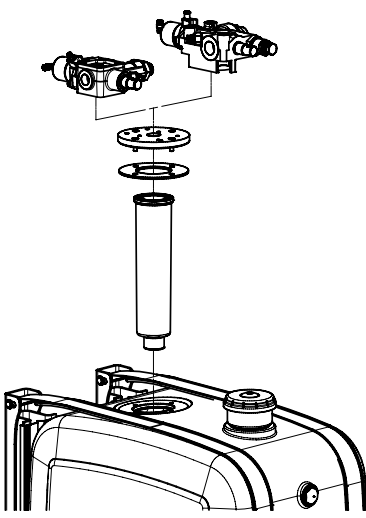

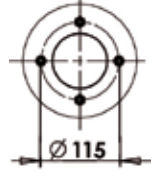


**135-150-170-200 LITRES**

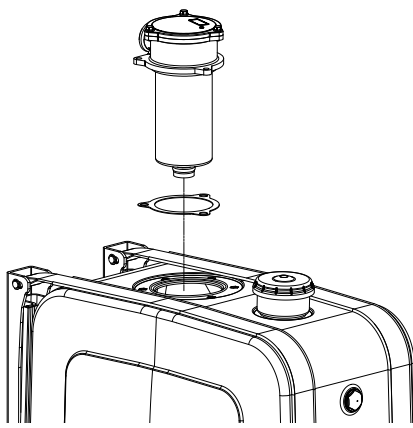
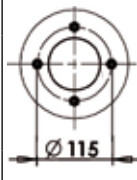


As a result of this improvement any return filter and/or upper mounting plate for Modular tipping valves series 150/250 and FP 80 will differ from the ones used until now.

The following table can help you in the choice of the desired version:

Filter and mounting flange for tipping valve.						
	<b>TANK CAPACITY</b> 135 L 150 L 170 L 200 L	 $\varnothing 115$	<b>VALVE</b> FM / FP 80 Modular 150 AL Modular 150 AL Modular 250	<b>VALVE MOUNTING PLATE</b>	121-994-00182	
					121-994-00226	
	135 L 150 L 170 L 200 L	 $\varnothing 115$	<b>FILTER</b>	118-001-12176	25 $\mu\text{m}$	Submerged filters
				118-001-11177	60 $\mu\text{m}$	

### Filter without mounting flange for tipping valves.

	 $\varnothing 115$	Steel 90 $\mu\text{m}$	90 L	118-001-00358
		Steel 60 $\mu\text{m}$	85 L	118-001-01357
		Reinforced cellulose 25 $\mu\text{m}$	75 L	118-001-02356
		Reinforced cellulose 10 $\mu\text{m}$	55 L	118-001-03355
		Micro-fibre glass 25 $\mu\text{m}$	55 L	118-001-04354
		Steel 90 $\mu\text{m}$	105 L	118-001-00401
		Steel 60 $\mu\text{m}$	100 L	118-001-01400
		Reinforced cellulose 25 $\mu\text{m}$	100 L	118-001-02409
		Reinforced cellulose 10 $\mu\text{m}$	75 L	118-001-03408
		Micro-fibre glass 25 $\mu\text{m}$	75 L	118-001-04407
		Steel 60 $\mu\text{m}$	170 L	118-001-01455
		Reinforced cellulose 25 $\mu\text{m}$	175 L	118-001-02454
		Steel 60 $\mu\text{m}$ (Larger oil passage)	200 L	118-001-01473
		<b>Interasse</b> 115 <b>Seratoio</b> 135 L 150 L 170 L 200 L		

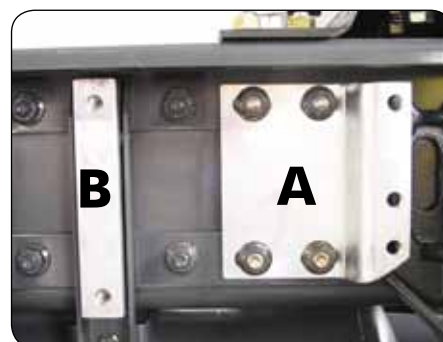
The new purchase codes for current tanks are the following:

- **13561011352 Steel side mounting tank SL LT 135 71x64x35 I=115**
- **13561011503 Steel side mounting tank SL LT 150 71x64x40 I=115**
- **13561011709 Steel side mounting tank SL LT 170 71x64x45 I=115**
- **13561012002 Steel side mounting tank SL LT 200 71x64x50 I=115**

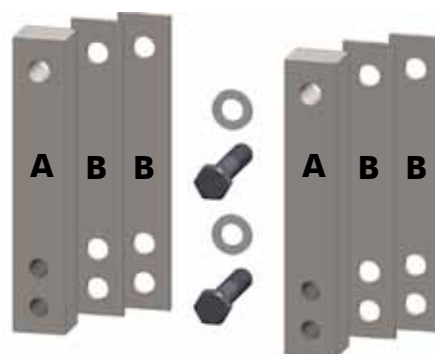
For a more efficient organization, components have been separated into different packages: each purchase code above is composed by two boxes, one including the tank and the other one containing brackets and mounting kit.

Furthermore, we can offer several new accessories to allow a quick and precise tank mounting on most tractor trucks currently present on market:

- 13590100013  
MOUNTING KIT FOR LEFT SIDE TANK DAF XF/CF



- 13590100102  
UNIVERSAL MOUNTING KIT FOR TANK DAF



- 13590400019  
AUXILIARY DRAIN KIT FOR TANKS I=115



- 13590100157 : 2 SPACERS H=8 SCREWS M14
- 13590100166 : 4 SPACERS H=8 SCRES M14
- 13590100193 : LEANING SPACER 4,5° SCREWS M14
- 13590100200 : LEANING SPACER 4,5° SCREWS M16
- 13590100219 : LEANING SPACER 2,5° SCREWS M14



### EXAMPLE OF APPLICATION



**The modifications introduced will be operative starting from the middle of June 2012.**

**Our sales department will be available for any further information.**